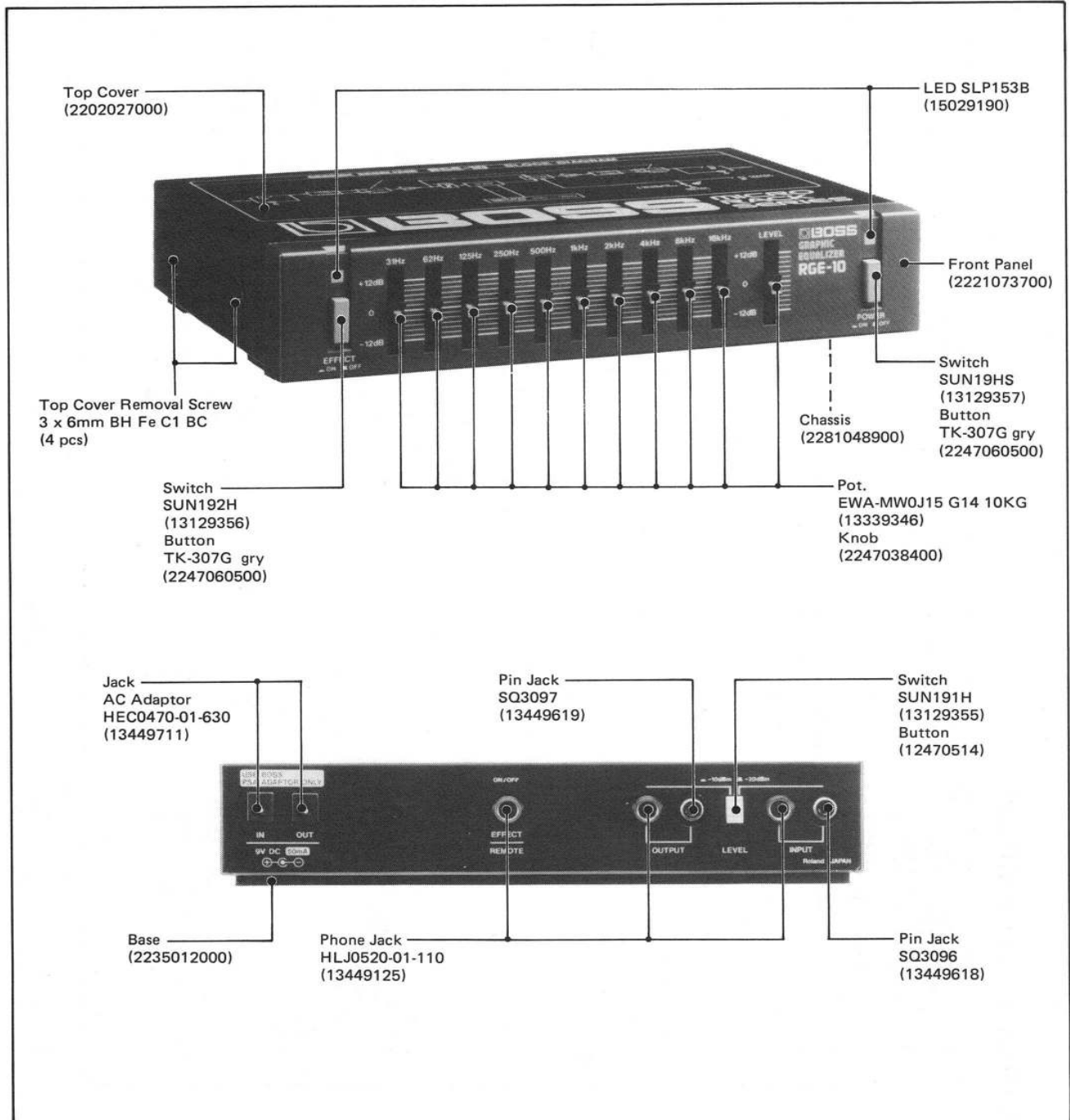


# BOSS RGE-10 SERVICE NOTES

*First Edition*

## SPECIFICATIONS

- Power : 9V DC (BOSS PSA-100, 120, 220 or 240)
- Current Draw : 50mA
- Dimensions : 218(W) x 46(H) x 160(D)mm/  
: 8-9/16"(W) x 1-13/16"(H) x 6-5/16"(D)
- Weight : 900g / 2 lb



A B C D E F G H I J K L M N O P Q R S T U

**MT BOARD 74124520**

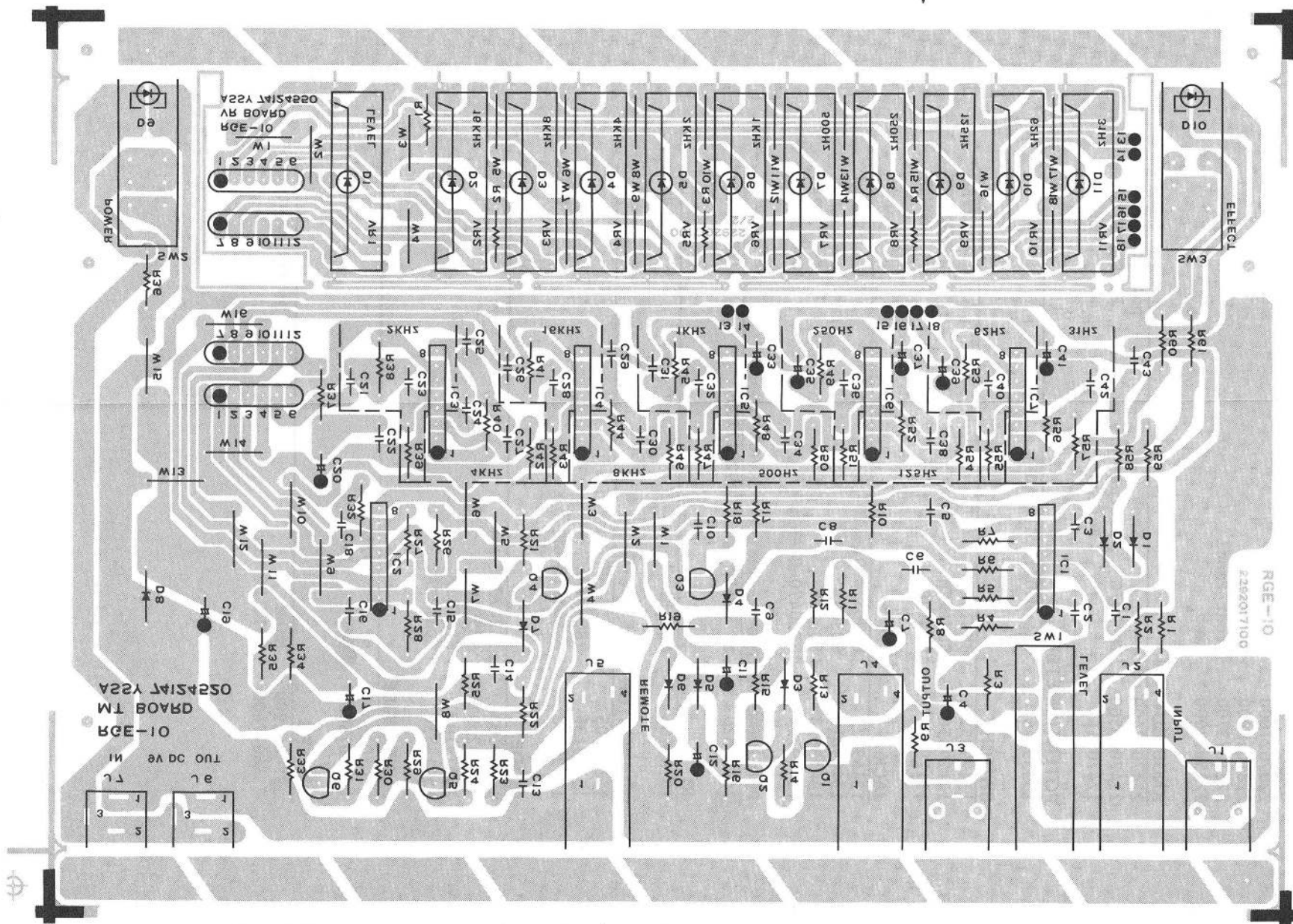
(pcb 2292017100)

Replacement PCB : Supplied in a set of VR/MT boards

**VR BOARD 74124550**

(pcb 2292017100 2/2)

2



RGE-10

1 2 3 4 5 6 7 8 9 10 11 12 13 14 15 16 17 18 19 20 21 2

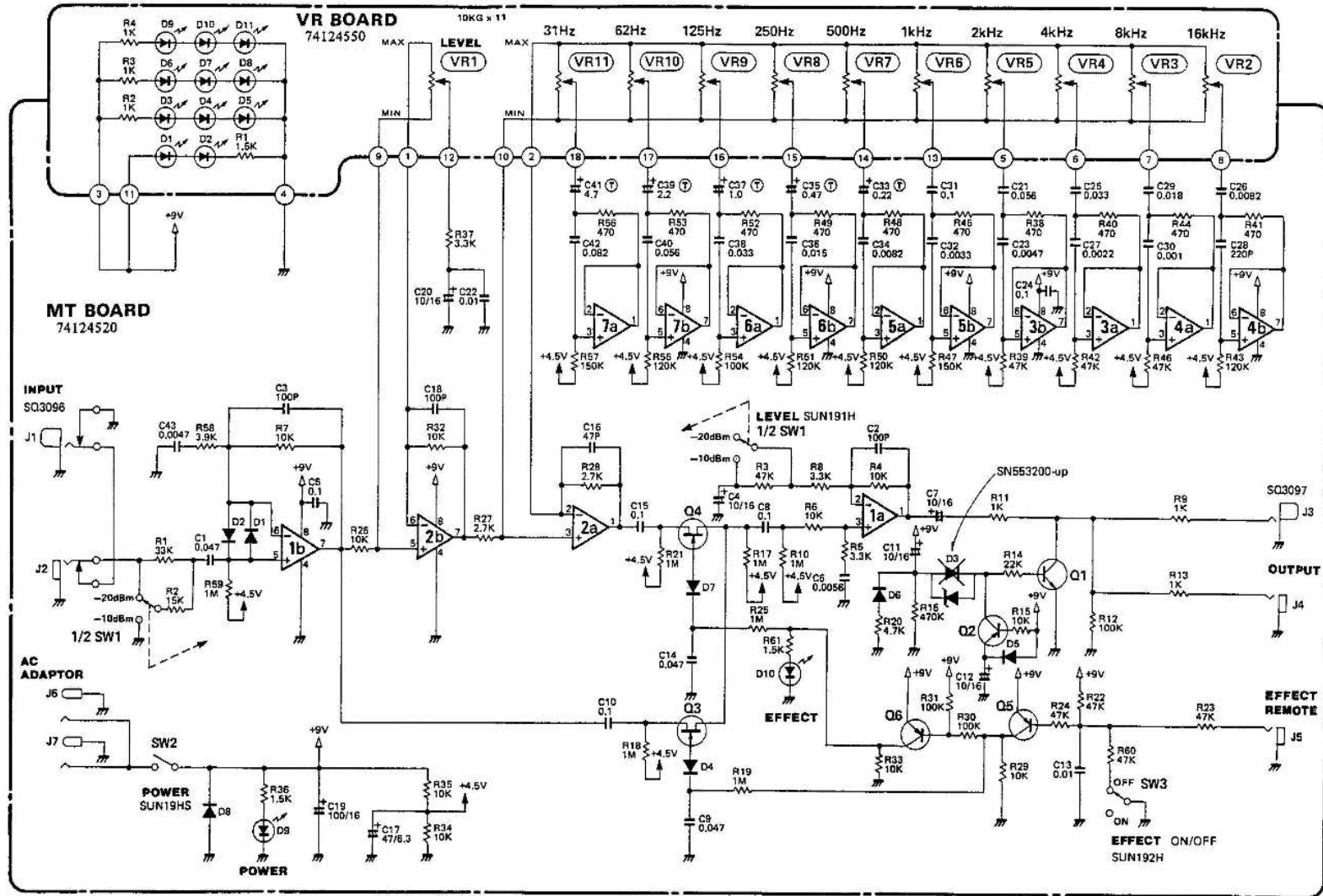
RGE-10  
2292017100

ASSTY 74124520  
MT BOARD  
RGE-10  
TUO DN VE NI

↑  
**MT BOARD 74124520**  
(pcb 2292017100)

View from foil side

# CIRCUIT DIAGRAM



- |                    |                       |                          |
|--------------------|-----------------------|--------------------------|
| IC1-7 :M5218L      | D1,2,4-7 :1S2473      | J2, 4, 5 :HLJ0520-01-110 |
| Q1 :2SC2878A       | D3 :RD6.8EB2          | J6, 7 :HEC0470-01-630    |
| Q2, 5, 6 :2SA733-P | D8 :S5500G            | VR1-11:EWA-MW0J15G14     |
| Q3, 4 :2SK30ATM-GR | D9, 10 :SLP153B (LED) | 10KG                     |
|                    |                       | Ⓣ :Tantalum bead         |

# PARTS LIST

## CASE

---

2202027000	Top Cover
2281048900	Chassis
2221073700	Front Panel
2235012000	Base

## KNOB, BUTTON

---

2247038400	Knob	potentiometer
2247060500	TK-307G Button gry	POWER,EFFECT
12470514	Button	LEVEL

## POTENTIOMETER

---

13339346	EWA-MWOJ15 G14 10KG	w/LED
----------	---------------------	-------

## SWITCH

---

13129355	SUN191H	LEVEL
13129356	SUN192H	EFFECT
13129357	SUN19HS	POWER

## JACK

---

13449125	HLJ0520-01-110	phone
13449619	SQ3097	pin
13449618	SQ3096	pin
13449711	HEC0470-01-630	AC adaptor

## PCB Replacement PCB : Supplied in a set of VR/MT boards

---

74124520	MT BOARD (pcb 2292017100)	w/VR BOARD
----------	---------------------------	------------

## IC

---

15189136	M5218L	OP amp
----------	--------	--------

## TRANSISTOR

---

15119105	2SA733-P	
15129136	2SC2878A	
15139103	2SK30ATM-GR	FET

## DIODE

---

15019103	1S2473	
15019209T0	S5500G	
15029190	SLP153B	LED
15019530	RD6.8EB2	zener

## FLAT CABLE

---

2347016500	6P	95L
2347016600	6P	110L

## OTHERS

---

2224052900	Mask	potentiometer
2348017400	Mold DC Cord	